

LANDOLL CORPORATION, Drexel Division
1900 North Street • Marysville, KS 66508
Phone: 785-562-5381 • Fax: 785-562-4853
www.landoll.com

STANDARD FEATURES

- Four-wheel configuration - front wheel drive; rear wheel steering
- High visibility mast, 2 or 3 stage
- 36 volt electrical system
- Adjustable driver's seat
- Safety seat switch, cuts power
- Seat belts
- 4-wheel brakes - dual system
- Automatic return-to-neutral
- Independent hand and seat actuated parking brake
- GE "SCR" controls
- Quartz hour meter
- Hydrostatic power steering
- UL "EX" labeling
- Designed for ANSI-UL 583, Type EX (Class 1, Division 1, Group D and Class 2, Division 1, Group G)
- Emergency power disconnect switch
- Type N-150, 3-contact charging receptacle, Type EX
- RFI suppressed to MIL-STD-461 (Class 3 C)
- EX rated motors
- Static ground steer tires
- Cushion rubber drive tires
- Static ground straps
- Brass clad forks and load backrest
- Overhead guard
- Fire extinguisher
- Electric horn
- Recessed rear tow pin

OPTIONAL FEATURES

The following Optional Features are the most frequently ordered options that may be "factory installed" to the Models **FL-40-EX** and/or **FL-60-EX** Fork Lift Trucks.



- Strobe warning light
- Hydraulic attachments
- Cable operated horn
- Electric backup alarm
- Battery compartment rollers
- 6,800 lb (3,084 kg) capacity, FL-60 only
- Side shifter, 4" (10cm) either side of center, FL-60 only
- Folding forks

RECOMMENDED BATTERY SPECIFICATIONS

Battery Type	Volts	Amp. Hours	Nominal Size
Flooded or sealed	36V	765	37-1/8" x 26-1/2" x 25-1/4" (94 x 67 x 64cm)

- Dealer will select battery size based on the application.
- Usage hours will vary with load weight, number of lift cycles, lift height, attachment use and travel distance.
- Battery compartment inside dimensions – 37-5/8" x 27-3/8" (96 x 70cm)
- Battery model 18-85-19 EX, with Anderson Type N-150, 3 contact charging receptacle - Type EX; weight: 2,475lbs. (1,123kg) minimum; 2,575lbs. (1,168kg) maximum

(Battery must comply with Landoll "EX" Battery Specification - Drawing number: B-58911.)



The specifications contained in this brochure are subject to change at anytime without notice. Actual dimensions and performance data given herein may vary due to manufacturing tolerances. If any specification is critical to your application, please contact your Landoll/Drexel Dealer.



DREXEL

Division

SPECIFICATIONS

FL-40/60-EX Explosion-Proof
4,000 lb. and 6,000 lb. Capacity

DIMENSIONS

TRUCK	FL-40	E	F	G	H	I	J	K	L	M	N	O	P	Q	R	S	T
	IN.	19	48	20	87	5	39	84	43	36	104*	48	15°	12°	40	48	85
	CM.	49	122	51	221	13	99	213	109	91	264*	121			102	122	216
	FL-60																
IN.	19	48	24	91	5	39	84	43	36	108*	48	12°	12°	40	48	89	
CM.	49	122	60	231	13	99	213	109	91	274*	121			102	122	226	

Notes:

* Plus (+) load length.

SPECIFICATIONS

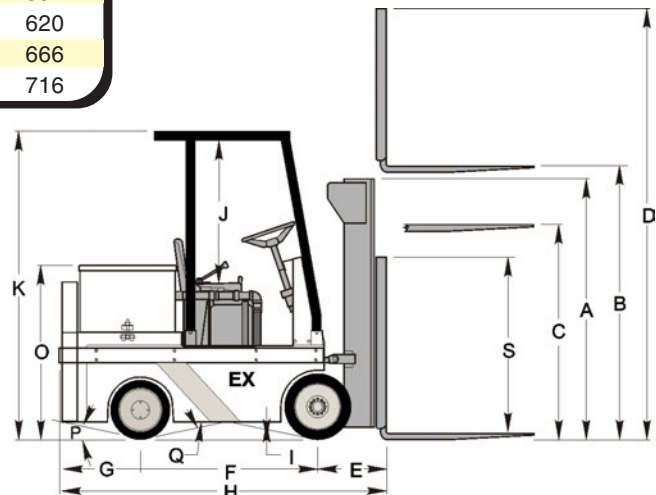
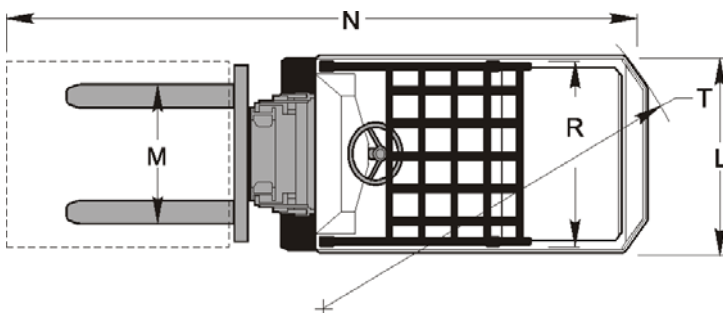
		FL-40	FL-60		FL-40	FL-60
GRADEABILITY	LOADED	15%		MAST TILT	DEGREES	3° FWD./4° BACK
CAPACITY AT 24" L/C	LBS.	4,000	6,000	STEER TIRES	IN.	16.2" x 6" x 11.2"
	KG.	1,814	2,722		CM.	41 x 15 x 29
FORK SIZE (Standard) ITA CLASS III	IN.	2" x 4" x 42"		VOLTAGE	36	
	CM.	5 x 11 x 107				
LIFT SPEED (36 Volt)	EMPTY	53 FPM	53 FPM	LOWERING SPEED	EMPTY	52 FPM 52 FPM
	LOADED	15 MPM	15 MPM		LOADED	56 FPM 56 FPM
DRIVE TIRES (Cushion rubber)	IN.	18" x 8" x 12.1"		TRAVEL SPEED	EMPTY	4 MPH 4 MPH
	CM.	46 x 20 x 31			LOADED	6 KPH 6 KPH
TRUCK WEIGHT with BATTERY (Minimum)	LBS.	7,700	8,950	MINIMUM BATTERY WEIGHT	LBS.	2,475
	KG.	3,493	4,060		KG.	1,123

MAST DIMENSIONS

MAST TYPE		A		B		C		D	
		MAX. FORK HEIGHT (IN.)	(CM.)	COLLAPSED HEIGHT (IN.)	(CM.)	FREE LIFT HEIGHT (IN.)	(CM.)	MAX. OVERALL HEIGHT (IN.)	(CM.)
FL-40: DUAL		106	269	71	180	47	119	154	391
		130	330	83	211	59	150	178	452
FL-60: DUAL		114	269	77	196	51	130	162	412
		130	330	87	221	61	155	178	452
FL-40: TRIPLE		152	386	71	180	47	120	200	508
		170	432	77	196	53	135	218	554
		188	578	83	210	59	150	236	599
		198	503	87	221	63	160	246	625
		216	549	95	241	71	180	264	671
		236	600	103	262	79	201	284	721
FL-60: TRIPLE		149	379	71	180	45	114	197	500
		167	424	77	196	51	130	215	546
		185	470	83	210	57	145	233	592
		196	498	87	221	61	155	244	620
		214	545	95	241	69	175	262	666
		234	594	103	262	77	196	282	716



ABOVE DIMENSIONS ARE BASED ON A 3" (7.6cm) MAST UNDERCLEARANCE.



EXPLOSION-PROOF FORKLIFT