

LANDOLL CORPORATION, Drexel Division
 1900 North Street • Marysville, KS 66508
 Phone: 785-562-5381 • Fax: 785-562-4853
www.landoll.com

STANDARD FEATURES

- Liquid propane gas (LPG) powered engine
- Single (R-40) or two-speed (R-60) forward and reverse power-shift transmission
- Four-wheel configuration - front wheel drive; rear wheel steering
- High visibility mast, 3 or 4 stage
- 90° pivoting and shifting mast
- Joystick control levers
- Long load handling support
- Adjustable driver's seat
- Seat belts
- Parking brake, Hand actuated
- Hydraulic service brakes
- Hydrostatic power steering
- Neutral start; anti-restart
- No-spin differential (R-40 only)
- Positive crankcase ventilation
- Combination inching/brake pedal
- Solid pneumatic style drive and load tires (non-flat)
- Horizontal fork indicator
- Towing pin
- Overhead guard
- Load backrest
- Tail / stop light

OPTIONAL FEATURES

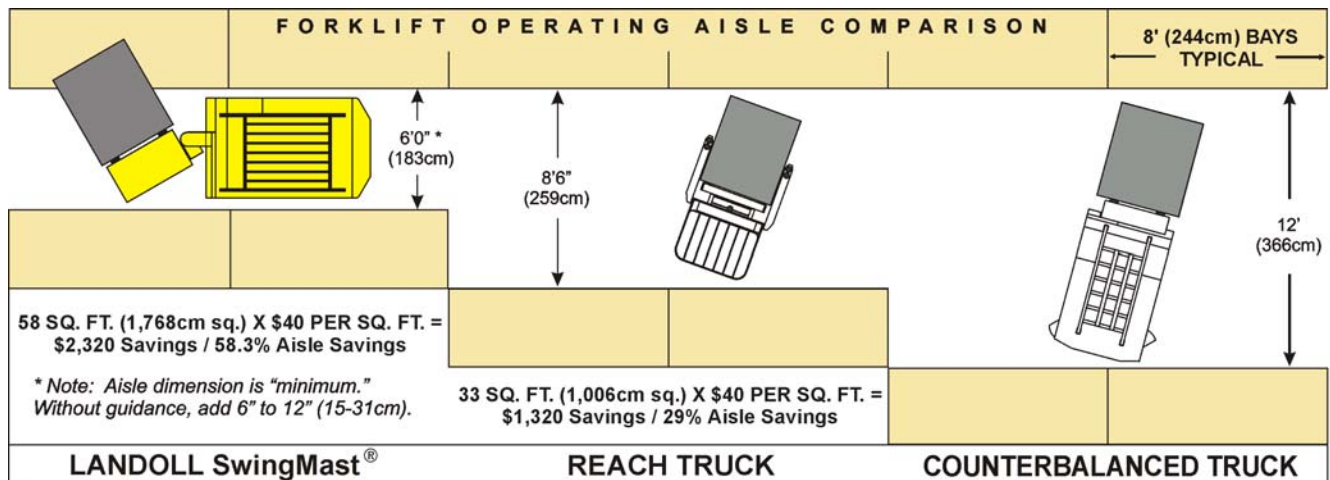
- Clean burn diesel (CBD) powered engine
- Strobe warning light
- Flashing backup light in amber, red, yellow and blue
- Safety LP or diesel
- Headlights, mast or overhead guard mounted
- Backup alarm
- Rear view mirror
- Fire extinguisher
- Hydraulic fork positioner
- Dual 12V batteries (R-60 only)
- Single auxiliary hydraulics
- Cab with wipers, heater, defroster and noise abatement



RECOMMENDED BATTERY SPECIFICATIONS

Battery Type	Volts	Amp. Hours	Nominal Size
Flooded or sealed (Negative ground)	12V	685 Cranking amps @ 32° F (0°C)	11" x 7" x 9" (28 x 18 x 23cm)

The specifications contained in this brochure are subject to change at anytime without notice. Actual dimensions and performance data given herein may vary due to manufacturing tolerances. If any specification is critical to your application, please contact your Landoll/Drexel Dealer.



VERY NARROW AISLE FORKLIFT



DREXEL

Division

SPECIFICATIONS

R-40/60-SL SwingMast I.C. Lift Truck
4,000 lb. and 6,000 lb. Capacity

DIMENSIONS

TRUCK

R-40-SL	E	F	G	H	I	J	K	L	M	N	O	P	Q	R	S	T	U	V
IN.	32	64	19	115	5	39	89	43	37	24	4	17°	18°	16	42	89	44	49
CM.	82	163	48	293	13	99	226	109	94	61	10			41	107	227	112	125
R-60-SL																		
IN.	32	77	13	122	6	39	91	52	46	21	2	23°	16°	21	48	106	54	52
CM.	82	194	34	310	15	99	231	132	117	53	5			53	122	269	137	132

* Note: Gradeability varies with engine option.

SPECIFICATIONS

		R-40	R-60			R-40	R-60
GRADEABILITY	LOADED	22%*	24%*	ENGINE (cubic inch displacement, CID)	LPG	181	181
	EMPTY	25%*	30%*		CBD	164	230
CAPACITY AT 24" L/C	LBS.	4,000	6,000	TRANSMISSION (Forward/Reverse)		Single Speed	Dual Speed
	KG.	1,814	2,721	DRIVE TIRES - R-40 (Solid pneumatic style)	IN.	8.15" x 15.0"	
FORK SIZE - R-40	IN.	1.75 x 4.0 x 40		DRIVE TIRES - R-60 (Dual solid pneumatic style)	CM.	21 x 38	
	CM.	4.5 x 11 x 102			IN.	7.5" x 15.0"	
FORK SIZE - R-60	IN.	1.75 x 5 x 40			CM.	19 x 38	
	CM.	4.5 x 13 x 102		LOWERING SPEED	EMPTY	46 FPM	50 FPM
LIFT SPEED	EMPTY	80 FPM	87 FPM		LOADED	14 MPM	15 MPM
	LOADED	24 MPM	27 MPM			60 FPM	60 FPM
		75 FPM	85 FPM	MAST TILT		18 MPM	18 MPM
		23 MPM	26 MPM			6° FWD.	3° FWD.
STEER TIRES (Solid pneumatic style)	IN.	6.50" x 10.0"				6° BACK	4° BACK
	CM.	17 x 25		TRAVEL SPEED	EMPTY	8.4 MPM	10 MPM
TRUCK WEIGHT	LBS.	14,100	20,100		LOADED	14 KPH	16 KPH
	KG.	6,396	9,117			8 MPH	10 MPH
TORQUE CONVERTER	IN.	11				13 KPH	16 KPH
	CM.	28					

MAST DIMENSIONS

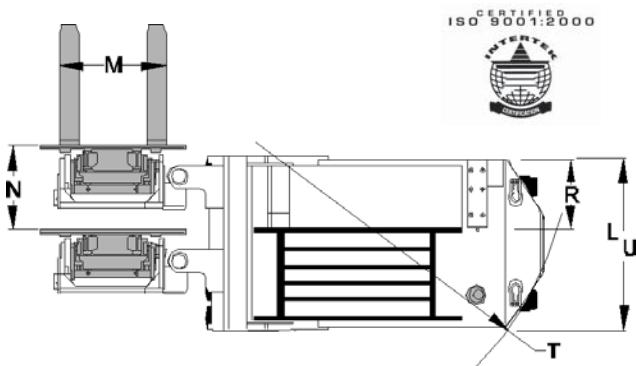
MAST TYPE	A		B		C		D	
	MAX. FORK HEIGHT (IN.)	(CM.)	COLLAPSED HEIGHT (IN.)	(CM.)	FREE LIFT HEIGHT (IN.)	(CM.)	MAX. OVERALL HEIGHT (IN.)	(CM.)
R-40: TRIPLE	170	432	83	221	53	135	212	539
TRIPLE	188	478	89	226	59	150	230	584
TRIPLE	198	503	93	235	63	160	240	610
TRIPLE	216	549	101	257	71	180	258	655
TRIPLE	240	610	111	282	81	206	282	716
R-60: TRIPLE	181	460	89	226	55	140	223	567
TRIPLE	187	475	91	231	57	145	229	582
TRIPLE	196	498	95	241	61	155	238	605
TRIPLE	215	546	103	262	71	180	257	653
TRIPLE	240	610	113	287	79	201	282	716

ABOVE DIMENSIONS ARE BASED ON A 9" (23cm) MAST UNDERCLEARANCE.

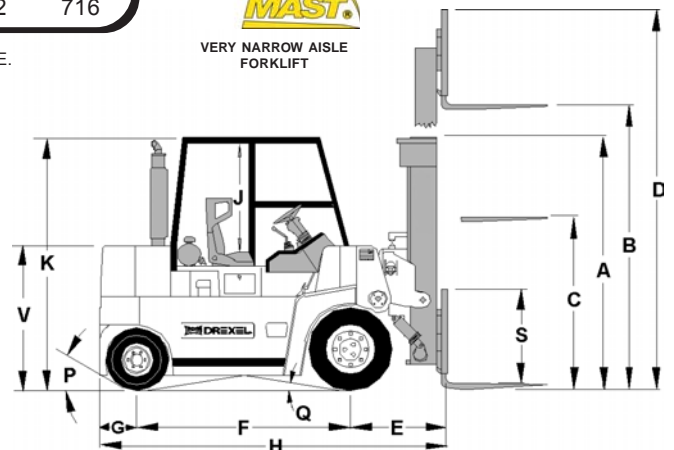


SWING MAST.

VERY NARROW AISLE FORKLIFT



CERTIFIED ISO 9001:2000



VERY NARROW AISLE FORKLIFT