



SPECIFICATIONS:

Bendi IC LP Gas-Powered Truck
4,000 lb. Capacity

LANDOLL CORPORATION

1900 North Street - Marysville KS 66508
 Phone: 785-562-5381 - Fax: 785-562-4853

B40/48IC-180D

STANDARD FEATURES:

- GM 3.0LVortec 4 cylinder engine
- Dual Rexroth hydrostatic drives-dual tandem pumps
- Electronic carburated fuel system
- Computerized hydrostatic drive pump controller with flash code diagnostics
- Front-wheel steering
- Three or four stage high visibility mast with six roller carriage
- Four-wheel design
- Extra stroke (11.8") sidsifter standard
- 180 degree articulating front end
- Certified ANSI overhead guard
- Articulating front load wheel axle assembly
- Key start switch
- Engine oil pressure, engine coolant temp, hydraulic oil temp, and alternator voltage gauges

- Low fuel and oil filter restriction warning lights
- Three function hydraulic control valve
- Engine hour meter
- Hydraulic power steering
- Ergonomically designed operator compartment
 - Sit down operator position
 - Adjustable seat; suspension, seat back, and base
 - Adjustable tilt/telescoping steering wheel
 - Arm rests; operator supply tray
- Foot pedal controlled hall effect accelerator
- Hydraulic drum type service brakes
- Hand parking brake
- Solid rubber treaded press-on drive tires
- Soft poly load wheels
- Tilt indicator; Seat switch; Horn; Mirror; Tow hitch pin
- Safety engine cutoff system-oil pressure/coolant temp

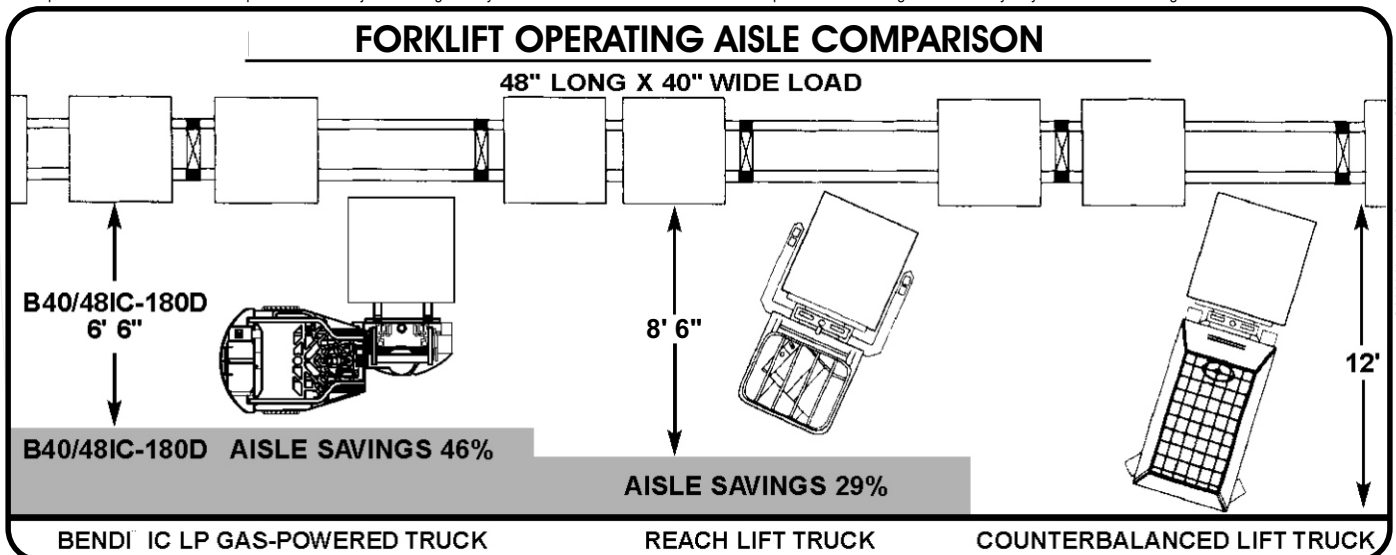
OPTIONAL FEATURES:

- Overhead guard-mounted headlights
- Non-marking tires
- Overhead guard-mounted rear work light
- 4th function hydraulic solenoid switch
- Overhead guard-mounted flashing warning light
- Non-standard load backrest
- Flashing back-up warning light
- Hydraulic fork positioner
- Rear safety light package (run, stop, back-up)
- Fire extinguisher
- Back-up alarm (beeping or talking)



WWW.LANDOLL.COM

The specifications contained in this spec sheet are subject to change at any time without notice. Actual dimensions and performance data given herein may vary due to manufacturing tolerances.



NARROW AISLE FORKLIFT



SPECIFICATIONS:

Bendi IC LP Gas-Powered Truck

4,000 lb. Capacity

B40/48IC-180D

DIMENSIONS

TRUCK	B40/48IC-180D	E	F	G	H	I	J	K	L	M	N	O	P	Q	R	S	T	U	V	W	X
	IN.	9	69	28	107	10	33	89	49	37	4	25	18°	12°	40	36	75	19	44	110	26
	CM.	23	176	72	272	27	84	226	123	94	10	64			102	91	189	49	112	279	67

SPECIFICATIONS

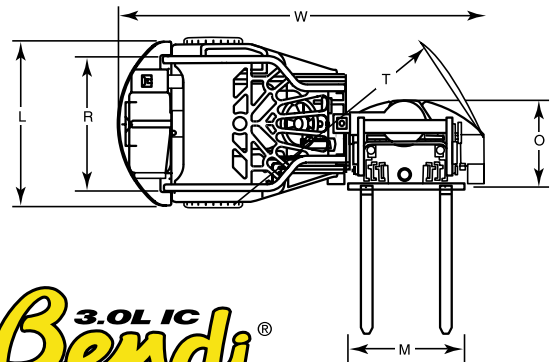
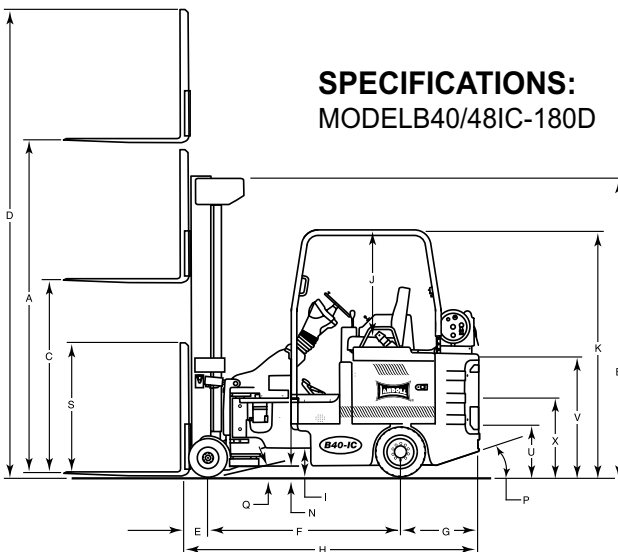
MODEL	BENDI IC	B40/48IC-180D	ENGINE	GM 3.0LVORTEC 3000	4 CYL
CAPACITY(MAX) (AT24" LC)	LBS. KG.	4,000 1,814		HPRATING FUEL	67 HP@ 3,000 RPM LPG
CAPACITY (TO 198"W/SS)	LBS. KG.	4,000 1,814	TRACTION	BATTERYVOLTAGE DUALREAR WHEEL	12 VOLT HYDROSTATIC
MASTTILT	FORWARD BACK	3° 3°	GRADEABILITY	DUALTANDEM PUMPS	15%
TRAVELSPEED	FORWARD REVERSE	8 MPH (13 KPH) 5 MPH (8 KPH)	TIRES (IN.)	FRONT(POLY) REAR (RUBBER CUSHION)	14 x 5 x 8 18 x 7 x 12.125
TRUCK WEIGHT (TOTAL)	LBS. KG.	13,140 5,966	FORK SIZE (STD) (ITAClass II)	IN. CM.	1.5 x 4 x 36 3.8 x 10 x 91
FRONT	LBS. KG.	3,500 1,589	LIFTSPEED	EMPTY LOADED	90 Ft/M (27 M/M) 70 Ft/M (21 M/M)
REAR	LBS. KG.	9,640 4,377	LOWERING SPEED	EMPTY LOADED	60 Ft/M (18 M/M) 90 Ft/M (27 M/M)

MAST DIMENSIONS

MAST TYPE	A MAX.FORK HEIGHT		B COLLAPSED HEIGHT		C FREE LIFT HEIGHT		D MAX.OVERALL HEIGHT	
	(IN.)	(CM.)	(IN.)	(CM.)	(IN.)	(CM.)	(IN.)	(CM.)
TRIPLE	188	478	83	211	61	155	236	599
TRIPLE	198	503	87	221	65	165	246	625
TRIPLE	216	549	95	241	73	185	264	671
QUAD	240	610	83	211	58	147	288	732
QUAD	258	655	89	226	64	163	306	777
QUAD	276	701	95	241	70	178	324	823

ABOVE DIMENSIONS ARE BASED ON 3" MASTUNDERCLEARANCE.

SPECIFICATIONS: MODEL B40/48IC-180D



NARROW AISLE FORKLIFT